

# COUNTERTOP

## GAS HOT PLATE



**HKN-XRCG48-8W**

**200.000**

TOTAL BTU

**8**

BURNERS

**48"**

WIDTH

**8**

CONTROLS

## FEATURES

- Heavy-duty removable cast iron grates for easy cleaning.
- 6" adjustable stainless steel heavy-duty legs.
- Stainless steel pilot for durability.
- 3/4" inlet gas pipe and regulator.
- Easy conversion from NG to LPG and vice versa.
- Key components have CSA / ETL certification.

## TECHNICAL DATA

<b>Width</b>	48"
<b>Depth</b>	31.3"
<b>Height</b>	13.38"
<b>Quantity of Burners</b>	8
<b>Quantity of Controls</b>	8
<b>Power</b>	8 × 25,000 BTU
<b>Total Power</b>	200,000 BTU
<b>Net Weight</b>	196 lbs

# Technical Data

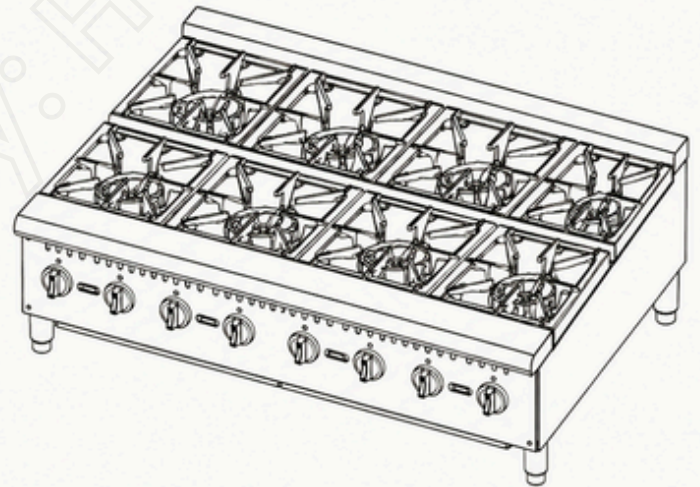
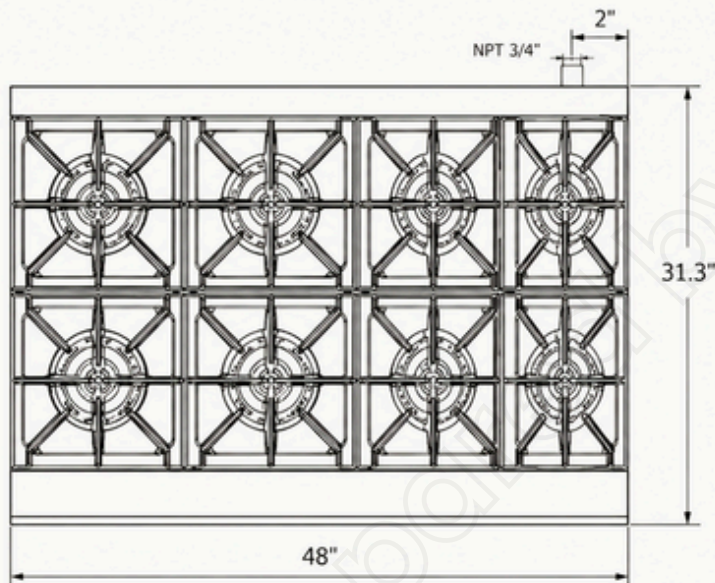
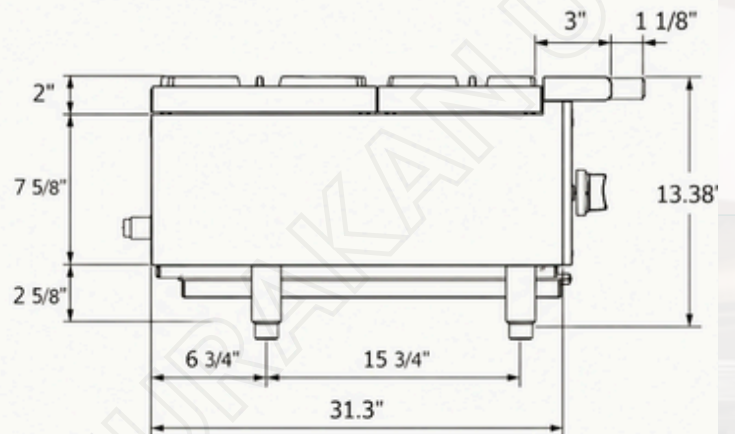
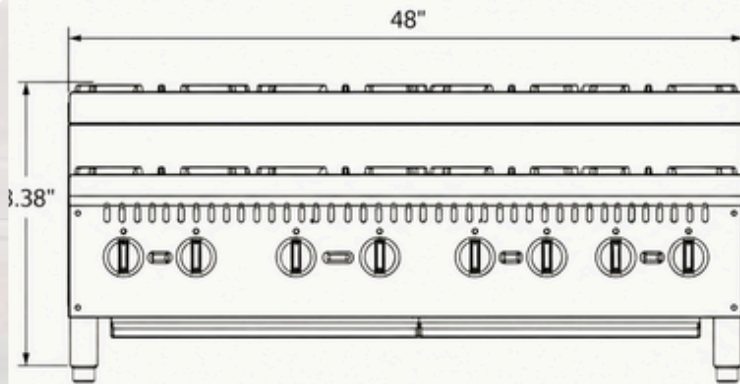
Field	Value
Model	HKN-XRCG48-8A
Item Name	Countertop Gas Hot Plate
Width	48"
Depth	31.3"
Height	13.38"
Quantity of Burners	8
Quantity of Controls	8
Power	8 × 25,000 BTU
Total Power	200,000 BTU
Product Size	48" × 31.3" × 13.38"
Packing Size	52.17" × 33.86" × 17.52"
Net Weight	196 lbs
Gross Weight	262 lbs
Gas Inlet Size	3/4"
Gas Type	Natural Gas / Convertible to LPG
Certification	CSA / ETL components

## NOTES & DETAILS

The Hurakan countertop gas hot plate series is built for powerful and compact commercial cooking. Available in 2, 4, 6, and 8 burner configurations, these units provide reliable open-burner performance for restaurants, cafés, catering kitchens, and foodservice operations.

Each model includes heavy-duty removable cast iron grates, stainless steel pilot, adjustable stainless steel legs, and a 3/4" gas inlet with regulator. The unit is designed for natural gas and can be converted from NG to LPG if needed.

# Plan View



## DRAWING NOTES

All dimensions are shown in inches.  
Drawings are provided for reference only.  
Specifications are subject to change without notice.  
Confirm installation clearances before setup.



3/4" Gas  
Connection



Field  
Convertible  
(Gas)



ETL, US  
ETL  
Sanitation