

GAS RANGE WITH OVEN

4 BURNERS



HKN-XRFG24O4W

150,000

TOTAL BTU

24"

WIDTH

4

BURNERS

550°F

OVEN TEMP.

FEATURES

- Four open top burners, 30,000 BTU each.
- U-shaped oven burner with thermostat control.
- Temperature range adjustable from 250°F to 550°F.
- Heavy-duty removable cast-iron grates.
- Stainless steel front and back riser.
- Adjustable heavy-duty legs and pull-out crumb tray.
- Natural gas; convertible to LPG if needed.

TECHNICAL DATA

Width	24 Inches
Depth	33.5 Inches
Height	60.6 Inches
Quantity of Burners	4
Quantity of Controls	5
Burner Power (BTU)	4 x 30,000BTU
Oven Power (BTU)	1 X 30,000BTU
Total Power (BTU)	150,000BTU

Technical Data

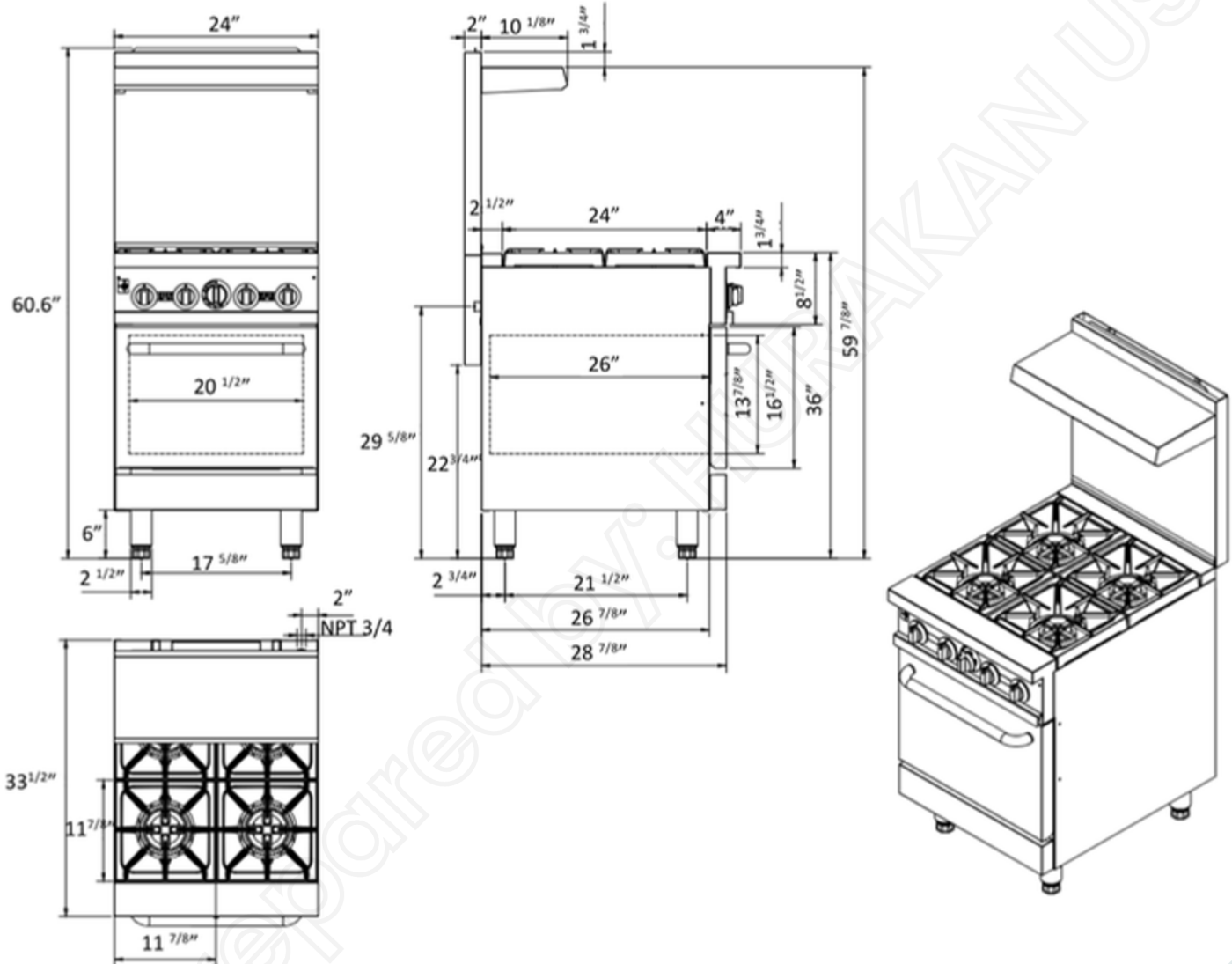
Field	Value
Control Type	Manual
Gas Inlet Size	3/4 Inches
Installation Type	Freestanding
Maximum Temperature	550°F
Number of Burners	4
Number of Ovens	1
Number of Racks	2 racks/oven
Oven BTU	30,000 BTU
Gas Type	Natural Gas / Convertible to LPG
Range Base Style	Space Saver Oven
Total BTU	150,000 BTU

NOTES & DETAILS

The Hurakan HKN-XRFG2404W is a compact 24" commercial gas range with oven, designed for small professional kitchens, restaurants, cafés, and foodservice operations. It features four heavy-duty open top burners, each rated at 30,000 BTU, plus a 30,000 BTU oven for reliable cooking performance.

The unit includes removable cast iron grates for easy cleaning, manual controls, stainless steel construction, adjustable heavy-duty legs, and a space saver oven base. It is designed for natural gas and can be converted to LPG if needed.

Plan View



DRAWING NOTES

All dimensions are shown in inches.
Drawings are provided for reference only.
Specifications are subject to change without notice.
Confirm installation clearances before setup.



3/4" Gas
Connection



Field
Convertible
(Gas)



ETL, US
ETL
Sanitation