

# GAS RANGE WITH OVEN

## 10 BURNERS

HKN-XRFG60O10W



**360,000**

TOTAL BTU

**60"**

WIDTH

**10**

BURNERS

**550°F**

OVEN TEMP.

## FEATURES

- Open top burners, 30,000 BTU each.
- U-shaped oven burner with thermostat control.
- Temperature range adjustable from 250°F to 550°F.
- Heavy-duty removable cast-iron grates.
- Stainless steel front and back riser.
- Adjustable heavy-duty legs and pull-out crumb tray.
- Natural gas; convertible to LPG if needed.

## TECHNICAL DATA

<b>Width</b>	60 Inches
<b>Depth</b>	33.5 Inches
<b>Height</b>	60.6 Inches
<b>Quantity of Burners</b>	10
<b>Quantity of Controls</b>	12
<b>Burner Power (BTU)</b>	10 x 30,000BTU
<b>Oven Power (BTU)</b>	2 X 30,000BTU
<b>Total Power (BTU)</b>	360,000BTU

# Technical Data

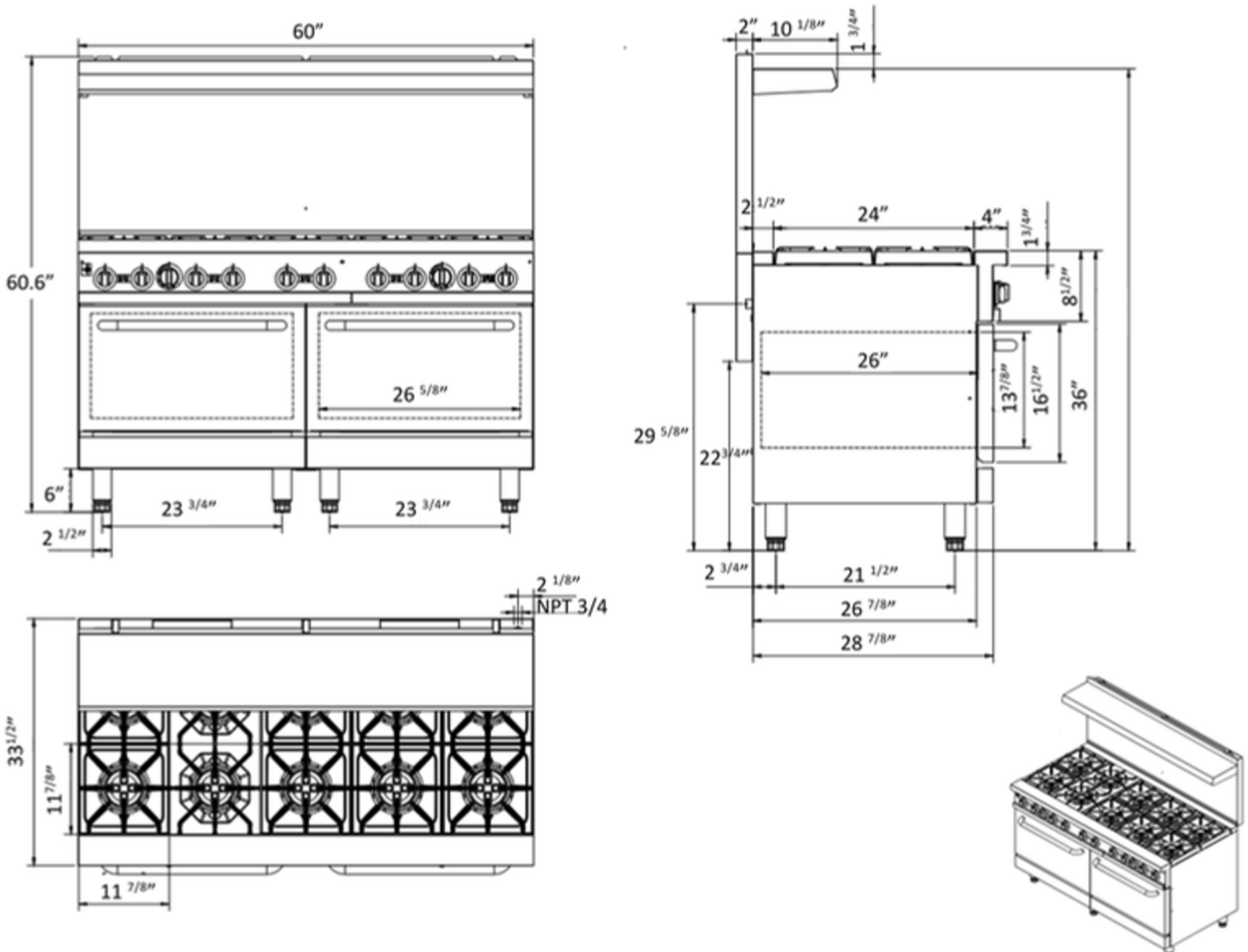
Field	Value
<b>Control Type</b>	Manual
<b>Gas Inlet Size</b>	3/4 Inches
<b>Installation Type</b>	Freestanding
<b>Maximum Temperature</b>	550°F
<b>Number of Burners</b>	10
<b>Number of Ovens</b>	2
<b>Number of Racks</b>	2 racks/oven
<b>Oven BTU</b>	2 x 30,000 BTU
<b>Gas Type</b>	Natural Gas / Convertible to LPG
<b>Range Base Style</b>	Dual Ovens
<b>Total BTU</b>	360,000 BTU

## NOTES & DETAILS

The Hurakan HKN-XRFG60O10W is a heavy-duty 60" commercial gas range with ovens, built for demanding foodservice environments. It features ten open top burners, each rated at 30,000 BTU, and two oven sections for increased cooking capacity.

The unit includes manual controls, removable cast iron grates, stainless steel construction, and durable commercial components. It is designed for natural gas and can be converted to LPG if needed.

# Plan View



## DRAWING NOTES

All dimensions are shown in inches.  
Drawings are provided for reference only.  
Specifications are subject to change without notice.  
Confirm installation clearances before setup.



3/4" Gas  
Connection



Field  
Convertible  
(Gas)



ETL, US  
ETL  
Sanitation