

GAS RANGE WITH GRIDDLE & OVENS



6 BURNERS

HKN-XRFG60O6G24A

282,000

TOTAL BTU

60"

WIDTH

24"

GRIDDLE

550°F

OVEN TEMP.

FEATURES

- Open top burners, 30,000 BTU each.
- U-shaped oven burner with thermostat control.
- Temperature range adjustable from 250°F to 550°F.
- 24" griddle with two 20,000 BTU burners.
- Heavy-duty removable cast-iron grates.
- Stainless steel front and back riser.
- Adjustable heavy-duty legs and pull-out crumb tray.
- Natural gas; convertible to LPG if needed.

TECHNICAL DATA

Width	60 Inches
Depth	32.6 Inches
Height	60.3 Inches
Quantity of Burners	6
Quantity of Controls	10
Burner Power (BTU)	6 x 30,000BTU
Griddle Power (BTU)	2 X 20,000BTU
Oven Power (BTU)	2 x 31,000 BTU
Total Power (BTU)	282,000BTU

Technical Data

Field	Value
Control Type	Manual
Gas Inlet Size	3/4 Inches
Installation Type	Freestanding
Maximum Temperature	550°F
Number of Burners	6
Number of Ovens	2
Number of Racks	2 racks / oven
Oven BTU	31.000 BTU
Griddle Width	24"
Griddle Power	2 × 20,000 BTU
Gas Type	Natural Gas
Range Base Style	Space Saver Oven
Total BTU	282.000 BTU

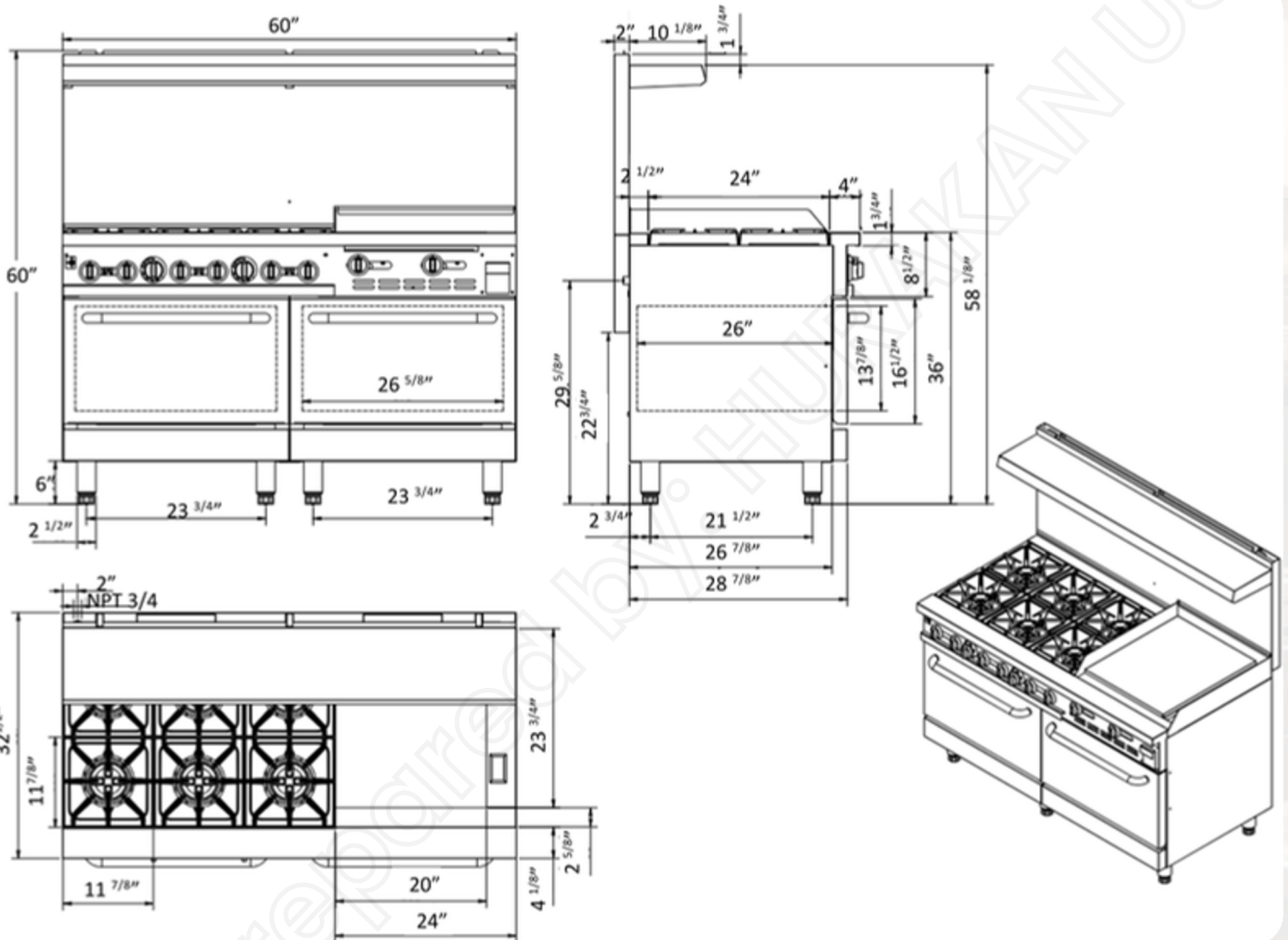
NOTES & DETAILS

The Hurakan HKN-XRFG60O6G24A is a 60" commercial gas range with six open top burners, a 24" griddle, and two ovens. It is designed for restaurants, cafés, catering operations, and professional kitchens that need open flame cooking, griddle cooking, and baking in one unit.

The range features six 30,000 BTU burners, griddle power rated at 2 × 20,000 BTU, and two 31,000 BTU ovens. With 282,000 total BTU, manual controls, stainless steel construction, and natural gas setup, this unit is built for demanding commercial kitchen use.

The oven thermostat is adjustable up to 550°F for consistent cooking results. Heavy-duty cast iron grates, adjustable stainless steel legs, and a pull-out crumb tray help make daily operation and cleaning easier.

Plan View



DRAWING NOTES

All dimensions are shown in inches.
Drawings are provided for reference only.
Specifications are subject to change without notice.
Confirm installation clearances before setup.



3/4" Gas
Connection



Field
Convertible
(Gas)



ETL, US
ETL
Sanitation