

GAS RANGE WITH GRIDDLE, BROILER & OVENS



6 BURNERS

278,000

TOTAL BTU

60"

WIDTH

24"

GRIDDLE

550°F

OVEN TEMP.

FEATURES

- Open top burners, 30,000 BTU each.
- U-shaped oven burner with thermostat control.
- Temperature range adjustable from 250°F to 550°F.
- Heavy-duty removable cast-iron grates.
- Stainless steel front and back riser.
- Adjustable heavy-duty legs and pull-out crumb tray.
- Natural gas; convertible to LPG if needed.

TECHNICAL DATA

Width	60 Inches
Depth	30.5 Inches
Height	60.3 Inches
Quantity of Burners	6
Quantity of Controls	11
Burner Power (BTU)	6 x 30,000BTU
Oven Power (BTU)	2 X 31,000BTU
Griddle & Salamander Power (BTU)	3 x 12,000 BTU
Total Power (BTU)	278,000BTU

Technical Data

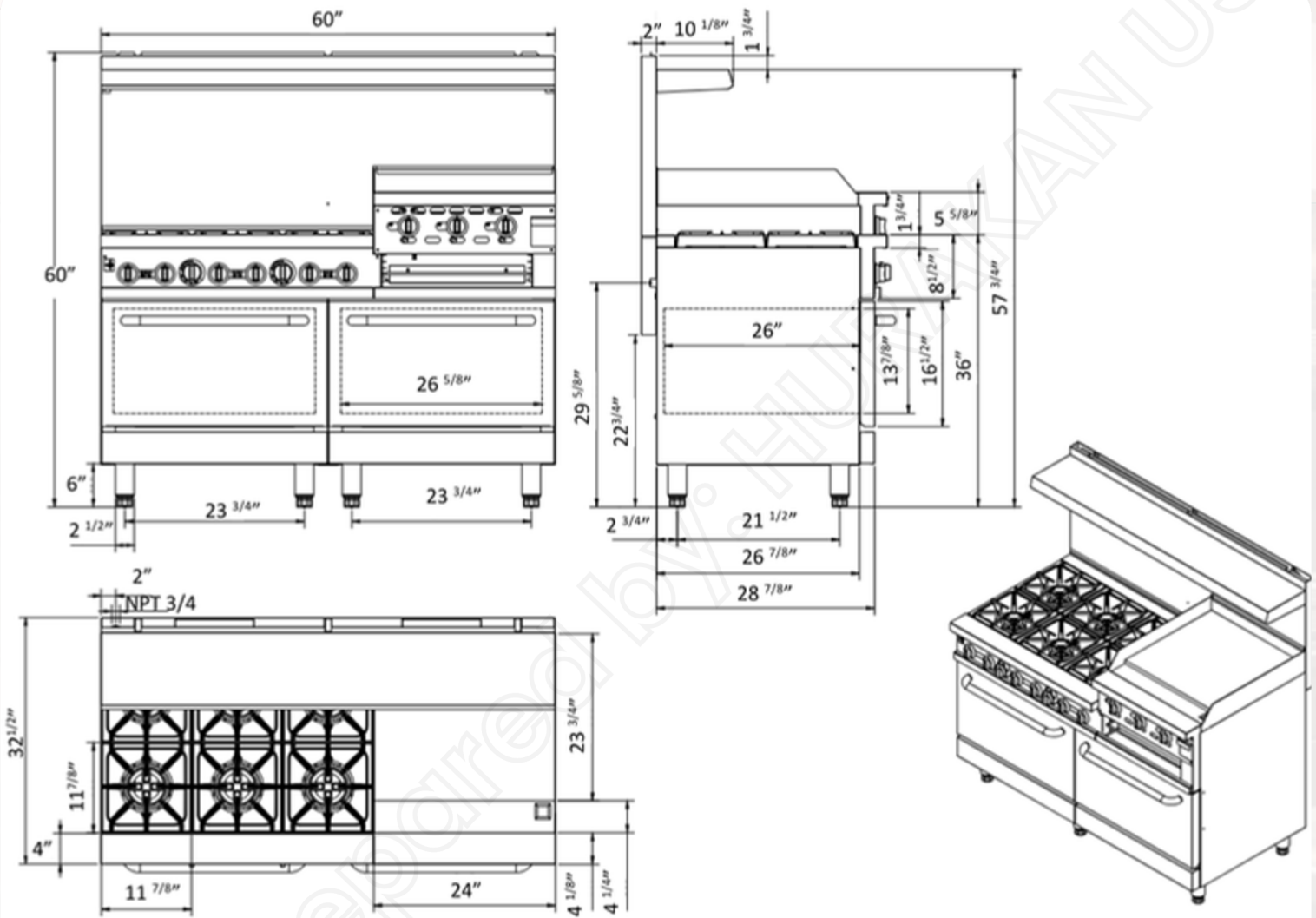
Field	Value
Control Type	Manual
Gas Inlet Size	3/4 Inches
Installation Type	Freestanding
Maximum Temperature	550°F
Griddle Width	24"
Number of Burners	6
Number of Ovens	2
Number of Racks	2 racks / oven
Burner BTU	6 × 30,000 BTU
Oven BTU	2 × 30,000 BTU
Broiler / Griddle Power (BTU)	3 × 12,000 BTU
Gas Type	Natural Gas / Convertible to LPG
Range Base Style	Dual Ovens
Burner Style	Grates
Oven Interior	26.5" x 25.8" x 13.9"
Rack Depth	23.5"
Rack Width	25.4"
Total BTU	278,000 BTU

NOTES & DETAILS

The Hurakan HKN-XRFG60O6GB24A is a 60" commercial gas range with six open top burners, a griddle and broiler section, and two ovens. It is designed for restaurants, cafés, catering operations, and professional kitchens that need open flame cooking, griddle cooking, broiling, and baking in one unit.

The range features six 30,000 BTU burners and two 31,000 BTU ovens, with a total power output of 278,000 BTU. Manual controls, heavy-duty grates, natural gas operation, and a freestanding design make this unit suitable for demanding commercial kitchen use.

Plan View



DRAWING NOTES

All dimensions are shown in inches.
Drawings are provided for reference only.
Specifications are subject to change without notice.
Confirm installation clearances before setup.



3/4" Gas
Connection



Field
Convertible
(Gas)



ETL, US
ETL
Sanitation