

GAS STOCK POT

SINGLE BURNER



HKN-XRFSG18-1W

84.280

TOTAL BTU

1

BURNERS

17.52"

WIDTH

2

CONTROLS

FEATURES

- Heavy-duty removable cast iron grates for easy cleaning.
- 6" adjustable stainless steel heavy-duty legs.
- Stainless steel pilot for durability.
- 3/4" inlet gas pipe and regulator.
- Easy conversion from NG to LPG and vice versa.
- Key components have CSA / ETL certification.

TECHNICAL DATA

Width	17.52"
Depth	22.44"
Height	19.69"
Quantity of Burners	1
Quantity of Controls	2
Power	84,280 BTU
Total Power	84,280 BTU
Net Weight	97 lbs

Technical Data

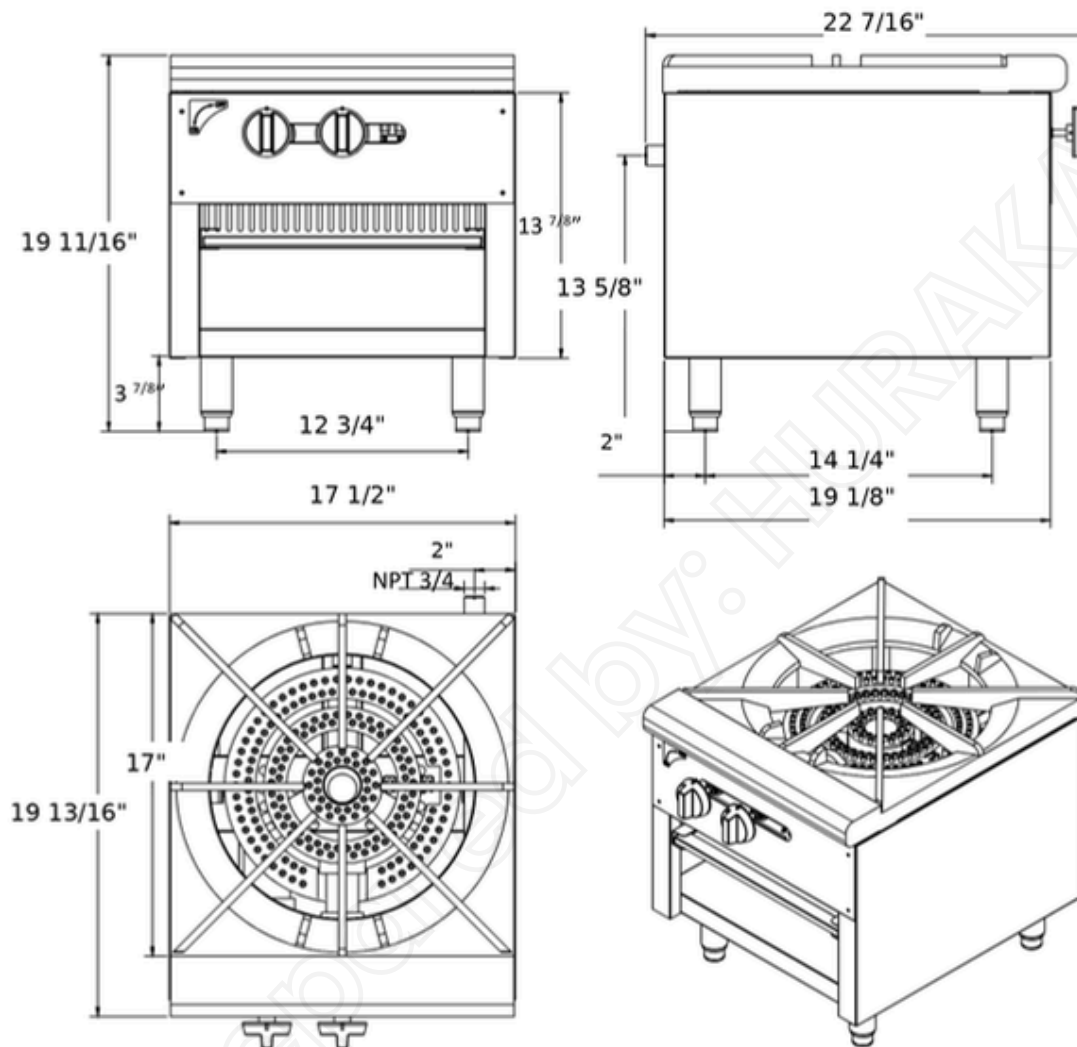
Field	Value
Model	HKN-XRFSG18-1W
Item Name	Gas Stock Pot
Width	17.52"
Depth	22.44"
Height	19.69"
Quantity of Burners	1
Quantity of Controls	2
Power	84,280 BTU
Total Power	84,280 BTU
Product Size	17.52" × 22.44" × 19.69"
Packing Size	24.61" × 24.61" × 19.88"
Net Weight	97 lbs
Gross Weight	114 lbs
Gas Inlet Size	3/4"
Gas Type	Natural Gas / Convertible to LPG
Certification	CSA / ETL components

NOTES & DETAILS

The Hurakan HKN-XRFSG18-1W gas stock pot is designed for high-output boiling and stock preparation in commercial kitchens. Its single powerful burner delivers 84,280 BTU, making it suitable for large pots, soups, sauces, seafood boils, and high-volume cooking applications.

The unit features heavy-duty cast iron grates, stainless steel pilot, adjustable stainless steel legs, and a 3/4" gas inlet with regulator. It is designed for natural gas and can be converted from NG to LPG if needed.

Plan View



DRAWING NOTES

All dimensions are shown in inches.
Drawings are provided for reference only.
Specifications are subject to change without notice.
Confirm installation clearances before setup.



3/4" Gas
Connection



Field
Convertible
(Gas)



ETL, US
ETL
Sanitation